



## Features

- High output, professional quality sound with 500 w continuous power
- E Series Entertainment System – Advanced digital signal processing tunings and options using QSC GXD, PLD amplifiers or TouchMix™ digital mixers.
- E Series Entertainment System DSP Tunings are now available for PLD, CXD and GXD processing amplifiers.
- Titanium diaphragm for high fidelity and long life
- Rugged tour-grade textured paint
- Foam-lined perforated steel grill
- Optional Padded Cover for protection during transportation
- Optional U-Style Yoke and M8 rigging kit for permanent installation
- Dual-angle pole socket

## Specifications

Configuration	1 x 15-inch, 2-way, non-powered
Frequency Response (-6 dB)	55 Hz – 20 kHz
Frequency Range (-10 dB)	43 Hz – 20 kHz
Power Capacity <sup>2</sup> : Continuous/Peak	500 w / 2000 w
Sensitivity	97 dB, 1 w @ 1 m
Coverage Angle	75° conical DMT
Output <sup>1</sup> (Peak SPL @ 1m)	130 dB
Drivers	
LF	381 mm (15-inch) driver with 89 mm (3.5-inch) voice coil
HF	38 mm (1.5-inch) exit, 71 mm (2.8-inch) voice coil, compression driver
Nominal Impedance	8 Ω
Cross-over	Full-range only, 1.55 kHz
Input Connectors	2 x NL4 1 x barrier strip
Enclosure	Trapezoidal, plywood, black texture paint finish. Two side mounted handles. Perforated, powder-coated steel grille with foam lining.
Mounting and suspension	6 x M8 suspension points, dual angle, 35 mm pole-socket
Net Weight	31 kg / 68 lbs
Shipping Weight	34 kg / 75 lbs

<sup>1</sup> With QSC Processing

<sup>2</sup> Power that the device can withstand for two hours without permanent change in acoustical, mechanical, or electrical characteristics, greater than 10%, using IEC60268 noise based on nominal impedance in the cabinet with Xover, full range 30 Hz 12 dB/oct.

Specifications are subject to change with out notice.

## E15

### 15" Two-Way Passive Loudspeaker

The E15 is a trapezoidal, two-way loudspeaker offering robust construction, trusted reliability and overall sonic performance beyond expectations. Featuring a 15-inch die-cast aluminum frame woofer with a large 3.5-inch voice coil that can handle 500 W of continuous power, it is intended for use when high-power and authoritative low-end are needed from a full-range loudspeaker. A large format 2.8" compression driver attached to the 75° DMT waveguide assures that even distant listeners will be well covered.

## E Series Loudspeakers

The E Series is a range of passive loudspeakers offering robust construction, trusted reliability and overall sonic performance beyond expectations. Intended for sound reinforcement in entertainment applications including live performance, DJ and dance music, karaoke and event production, E Series loudspeakers will deliver outstanding results. Building on QSC's proven "Systems" methodology, the E Series loudspeakers' performance is further enhanced when paired with QSC's GXD or PLD amplifiers or with a QSC TouchMix digital mixer, and taking advantage of the on-board DSP and factory-tuned presets. These presets support a variety of applications including live sound reinforcement (with and without subwoofers), stage monitoring, dance music and karaoke.

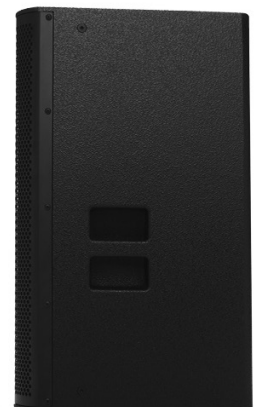
E Series consists of six models constructed of rugged plywood and coated in black, textured paint. Heavy-duty grilles lined with foam provide protection for the woofers and an elegant appearance. E10, E12 and E15 models are equipped with an all metal, dual-angle, 35mm socket that allows the speaker to be mounted vertically on a pole or angled down by 10° to improve audience coverage and reduce rear wall reflections. Multiple mounting options using E Series Yoke or M8 eyebolts are supported. Input connections include dual NL4 as well as screw terminal receptacles. Additionally, E215 and E218SW models feature ergonomic, aluminum handles to ease portability.

## Entertainment Venues

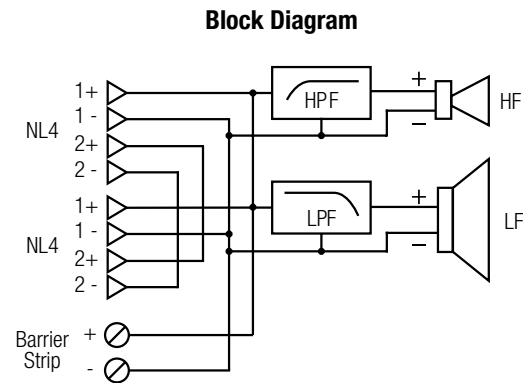
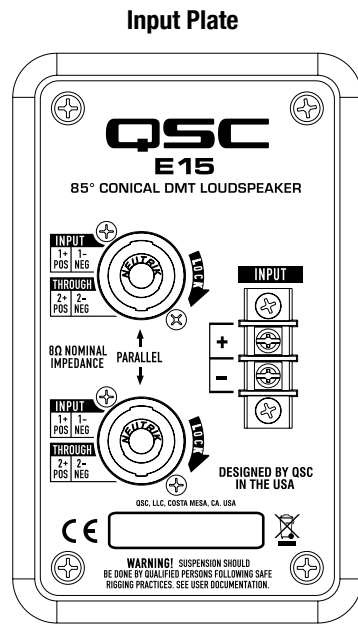
House of Worship

Rental/Production

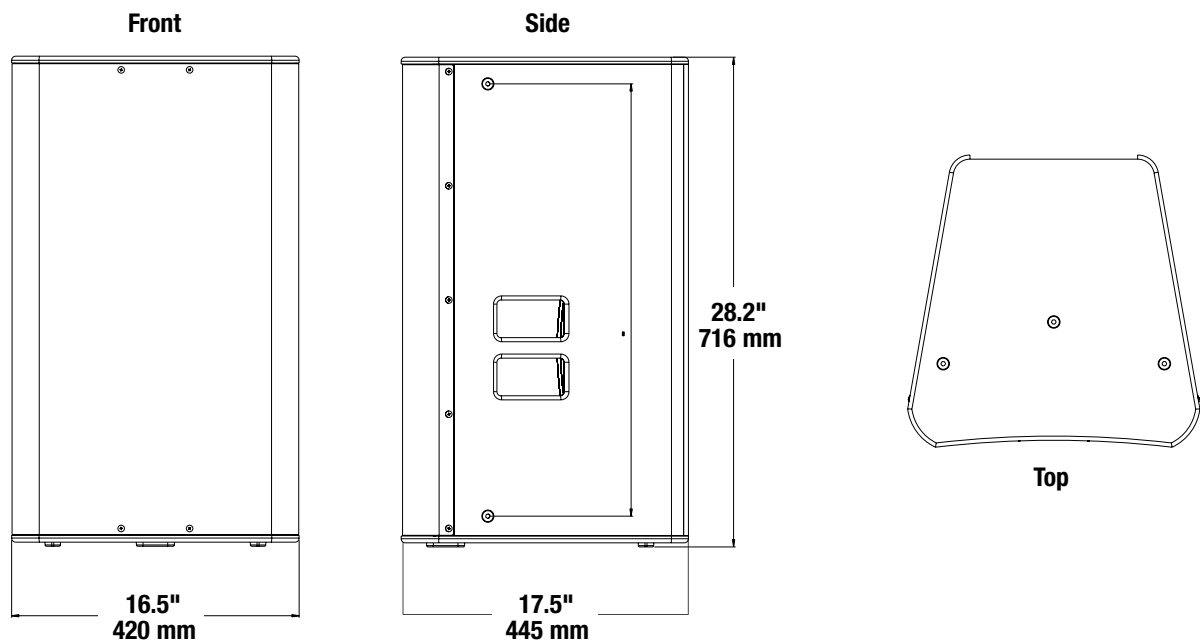
Mobile Performers



## E15 Details



## E15 Dimensions



# QSC®

1675 MacArthur Boulevard, Costa Mesa, CA 92626 | Ph: 800/854-4079 or 714/957-7100 | Fax: 714/754-6174  
 ©2017 QSC, LLC all rights reserved. QSC, the QSC logo and TouchMix are registered trademarks of QSC, LLC in the U.S. Patent and Trademark office and other countries.  
 All other trademarks are the property of their respective owners. Patents may apply or be pending.